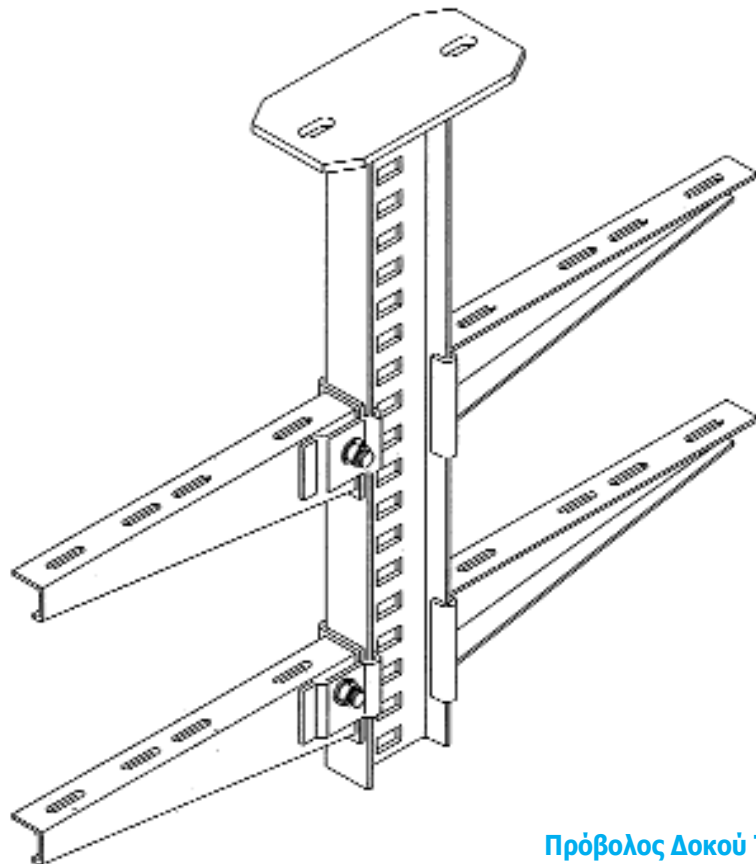


Κωδικός	Μήκος (mm)	Βάρος (kg/pc)
071.I80600	600	4.36
071.I80800	800	5.50
071.I801000	1000	6.64
071.I801200	1200	7.78
071.I801400	1400	8.92
071.I801600	1600	10.06
071.I801800	1800	11.20
071.I802000	2000	12.34
071.I802500	2500	15.19



Πρόβολος Δοκού Τύπου I KTT

Κωδικός	Μήκος (mm)	Βάρος (kg/pc)
071.I80600	600	4.36
071.I80800	800	5.50
071.I801000	1000	6.64
071.I801200	1200	7.78
071.I801400	1400	8.92
071.I801600	1600	10.06
071.I801800	1800	11.20
071.I802000	2000	12.34
071.I802500	2500	15.19