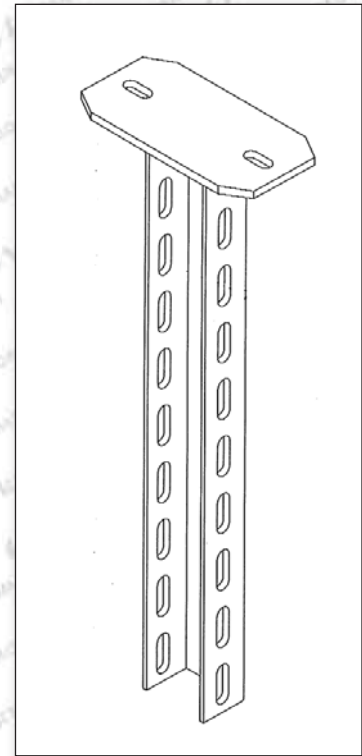
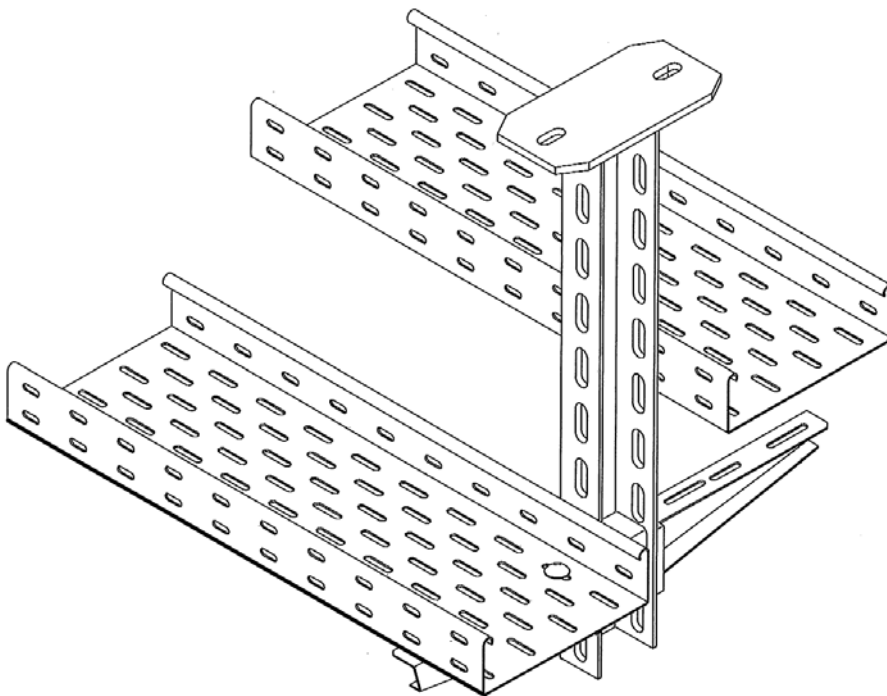


Support U-Type 70x50

CODE	LENGTH (mm)	WEIGHT (kg/pc)
071.050070600	600	3.34
071.050070800	800	4.14
071.0500701000	1000	4.94
071.0500701200	1200	5.74
071.0500701400	1400	6.54
071.0500701600	1600	7.34
071.0500701800	1800	8.14
071.0500702000	2000	8.94
071.0500702500	2500	10.94



Support Bracket KTA

CODE	LENGTH (mm)	WEIGHT (kg/pc)
074.WB105	100	0.20
074.WB155	150	0.25
074.WB205	200	0.30
074.WB305	300	0.60
074.WB405	400	0.80
074.WB505	500	1.20
074.WB605	600	1.35

