

C Type Support Rails

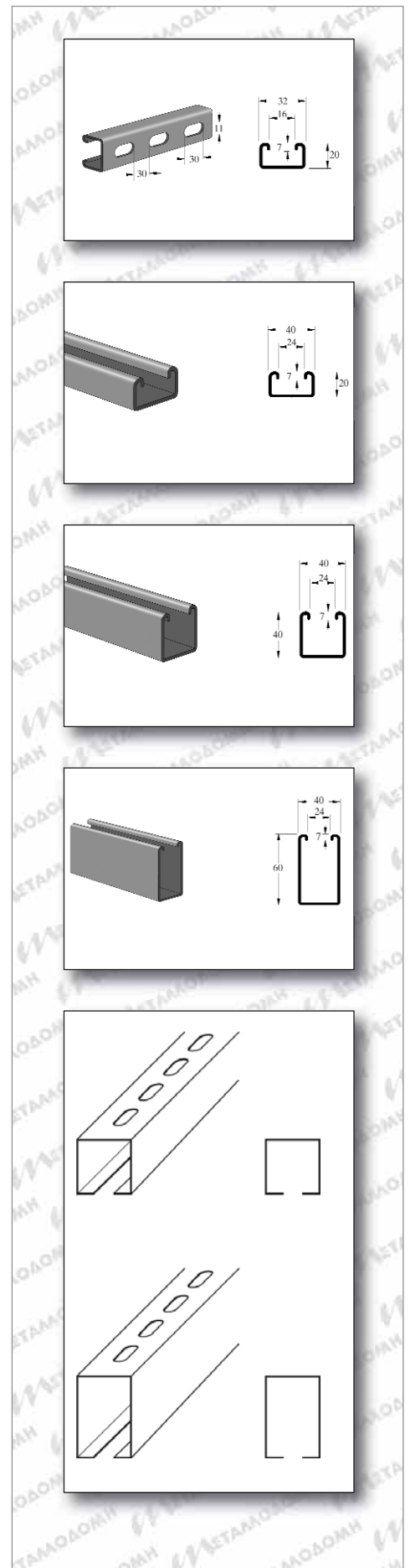
CODE	DIMENSIONS (mm)	THICKNESS (mm)
070.032020125	32 X 20	1.25
070.032020150	32 X 20	1.50
070.032020200	32 X 20	2.00

CODE	DIMENSIONS (mm)	THICKNESS (mm)
070.040020150	40 X 20	1.50
070.040020200	40 X 20	2.00

CODE	DIMENSIONS (mm)	THICKNESS (mm)
070.040040150	40 X 40	1.50
070.040040200	40 X 40	2.00

CODE	DIMENSIONS (mm)	THICKNESS (mm)
070.040060200	40 X 60	2.00

CODE	DIMENSIONS (mm)	THICKNESS (mm)
071.040040250	40 X 40	2.50
071.040060300	40 X 60	3.00



# SUPPORT SYSTEMS

## Double Support C Type Rails 40 X 20

CODE	DIMENSIONS (mm)	THICKNESS (mm)
070.040020150-2	40 X 20	1.50
070.040020200-2	40 X 20	2.00

## Double Support C Type Rails 40 X 40

CODE	DIMENSIONS (mm)	THICKNESS (mm)
070.040040150-2	40 x 40	1.50
070.040040200-2	40 x 40	2.00

## Rail Brackets MRB 40 X40

CODE	DESCRIPTION
072.MRB100	MRB 100 mm
072.MRB200	MRB 200 mm
072.MRB300	MRB 300 mm
072.MRB400	MRB 400 mm
072.MRB500	MRB 500 mm
072.MRB600	MRB 600 mm

## Double Rail Brackets MRB 40 X40

CODE	DESCRIPTION
072.MRBD100	MRB 100 mm
072.MRBD200	MRB 200 mm
072.MRBD300	MRB 300 mm
072.MRBD400	MRB 400 mm
072.MRBD500	MRB 500 mm
072.MRBD600	MRB 600 mm

